

SENSOR WITH STANDARD RESPONSE TIME

DT108-DDG

For measuring the temperature of
post-accident safety systems

Mounting in tapered thermowell

- High measurement accuracy
- **Qualified as K1** according to RCC-E
- Reliable measurements over time
- Measurement continuity in post-accident conditions



Nuclear

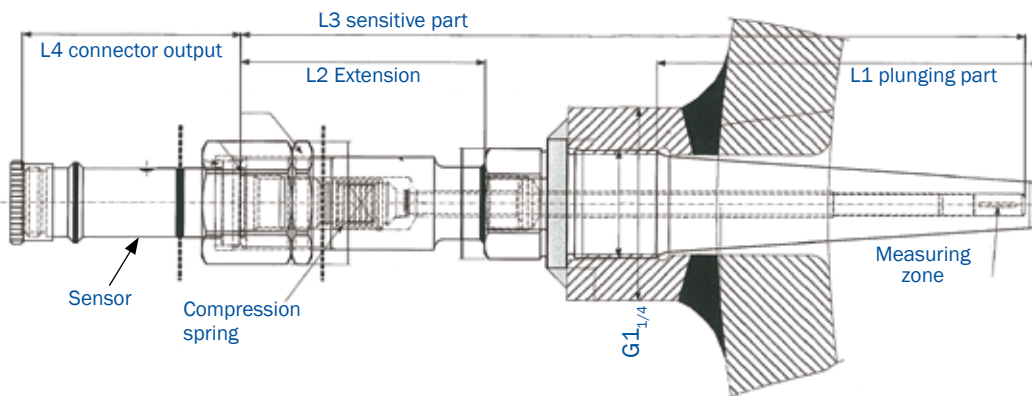
■ Operation

Mounted in a thermowell, the DT108-DDG provides accurate temperature measurement by immersion. Qualified as K1, it is available with different connector sizes (G3/4", 1, 1 1/4") and different pipe diameters. Depending on the application, the DT108 can be supplied with 3 types of mounting: pressurizer, thermowell and boss-mounted. Please contact us for details.

■ Technical Specifications

Temperature range	0 / + 400 °C
Qualification	K1 according to RCC-E
Response time	Approximately 30s at 63% of the measurement scale between 20 °C and 70 °C in water flowing at 1 m/s
Measuring element	Pt100, 4-wire mounting - ceramic sheath
Measurement current	Maximum current < 3 mA to maintain the required measurement accuracy. Maximum value without destruction: 40 mA for 3 min.
Measurement accuracy	Certificate of calibration at 4 points (0 °C, 100 °C, 270 °C and 330 °C) and provision of a degree deviation table covering the measurement range (0°-370°C)
Electrical insulation	Ri ≥ 100 MΩ with 100 VDC at 20 °C Ri ≥ 1 MΩ with 100 VDC at 350 °C
Electrical connection	SOURIAU 8NA1Y1212PNO0SA weld-on hermetic connector
Thermowell	Made of austenitic stainless steel. Immersion depth: 100 mm, 150 mm or 200 mm. 3 threading variants: G _{3/4} , G1, G1 _{1/4}

■ Design diagram



■ Certifications

Pyrocontrole is certified **ISO 9001** for management through Quality and ISO 14001 for control of the environmental impact. Pyrocontrole benefits from **HAF 604** certification for its equipment for the Chinese civilian nuclear industry

■ To order

DIMENSIONS					RÉFÉRENCES				
Plunging part		Extension	Sensitive part (compressed)	Connector output	Extension	Plunging part	Complete thermowell (extension + plunging part)	Sensor only	DT108-DDG assembly
D	L1	L2	L3	L4					
G _{3/4}	100 mm	95 mm	242 mm	85 mm	L919344-001	L919387-001	L919341-001	L919340-001	L919379-001
		95 mm	242 mm	85 mm					
G1 (Special for CPO)	150 mm	95 mm	298 mm	85 mm	L919344-002	L919390-001	L919348-001	L919347-001	L919382-001
G1 _{1/4}	150 mm	95 mm	248 mm	85 mm		L919388-003	L919342-003	L919340-005	L919380-001
		95 mm	256 mm	85 mm		L919388-002	L919342-002	L919340-002	L919380-002
	100 mm	95 mm	256 mm	85 mm		L919388-001	L919342-001	L919340-002	L919380-003
		95 mm	306 mm	85 mm				L919340-006	L919380-004
	150 mm	95 mm	306 mm	85 mm					
		95 mm	356 mm	85 mm					
200 mm	95 mm	356 mm	85 mm						
	95 mm	356 mm	207 mm						

FRANCE

Pyrocontrole
6 bis, av du Docteur Schweitzer
69881 MEYZIEU Cedex
Tel: +33 4 72 14 15 45
Fax: +33 4 72 14 15 41
export@pyro-controle.tm.fr
www.pyrocontrole.com

MIDDLE EAST

Chauvin Arnoux Middle East
P.O. BOX 60-154
1241 2020 JAL EL DIB - LEBANON
Tel: +961 1 890 425
Fax: +961 1 890 424
camie@chauvin-arnoux.com
www.chauvin-arnoux.com

UNITED KINGDOM

Chauvin Arnoux Ltd
Unit 1 Nelson Ct, Flagship Sq, Shaw Cross Business Pk
Dewsbury, West Yorkshire - WF12 7TH
Tel: +44 1924 460 494
Fax: +44 1924 455 328
info@chauvin-arnoux.co.uk
www.chauvin-arnoux.com

